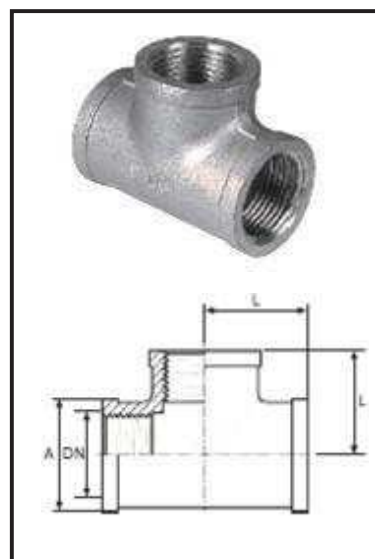


TEE FEMMINA

DN	DN inch	A mm	L mm	peso
6	1/8"	17	19	56
8	1/4"	21,3	21	82
10	3/8"	23,5	23,6	105
15	1/2"	30	28	156
20	3/4"	35	33	229
25	1"	43	38	369
32	1" 1/4	52	45	420
40	1" 1/2	58,5	50	702
50	2"	71,5	58	1082
65	2" 1/2	87	70	1517
80	3"	100	78,5	1856
100	4"	125	97	3170



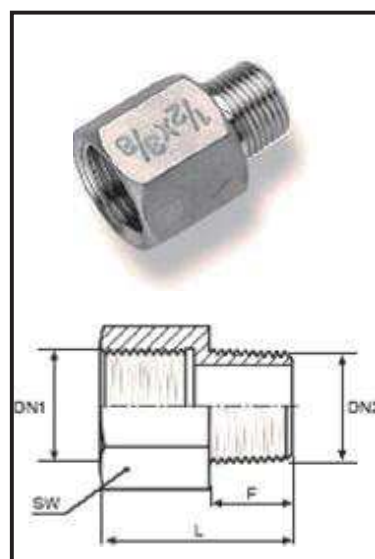
MANICOTTO RIDOTTO

DN1 mm	DN2 mm	A mm	B mm	L mm	peso
1/4"	1/8"	21,5	19	26	31
3/8"	1/4"	26	21,5	29	53
1/2"	3/8"	29	22,4	34	70
3/4"	1/2"	37	28,1	37	116
1"	1/2"	43	29,4	42	154
1"	3/4"	43	32	42	148
1" 1/4	1/2"	52	29	48	230
1" 1/4	3/4"	52	35	48	234
1" 1/4	1"	52,5	39	52	230
1" 1/2	1"	59	43,5	53	292
1" 1/2	1" 1/4	59	50	53	298
2"	1"	72	43	56	456
2"	1" 1/4	72	52	56	430
2"	1" 1/2	72	56,7	57	452

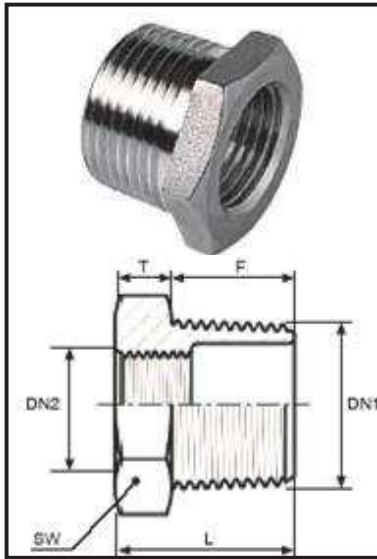


PROLUNGA M/F

DN1 inch	DN2 inch	L mm	F mm	SW mm	peso
1/4"	1/8"	27	10,8	17	23
1/4"	1/4"	28,5	12	17	26
3/8"	1/4"	30,5	11,9	21	38
3/8"	3/8"	31	12,3	21	43
1/2"	3/8"	34,5	12,3	26	64
1/2"	1/2"	37,5	14,6	26	73
3/4"	1/2"	38,5	15,6	32	102
3/4"	3/4"	41	17,5	32	280
1"	3/4"	44	17,5	38	127
1"	1"	46	20,1	38	300
1" 1/4	1"	47	20	50	240
1" 1/4	1" 1/4	49	22	50	389
1" 1/2	1" 1/4	50	22,3	54	263
1" 1/2	1" 1/2	51	23,5	54	400
2"	1" 1/2	54	23,1	68	533
2"	2"	57	26,5	68	537



RACCORDERIA FILETTATA INOX



RIDUZIONE M/F

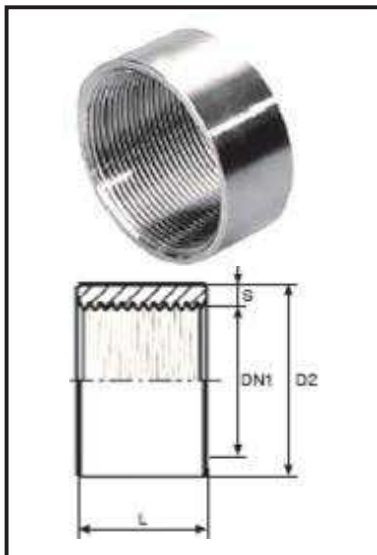
DN1 inch	DN2 inch		DN1 inch	DN2 inch
1/4"	1/8"		1" 1/2	3/4"
3/8"	1/8"		1" 1/2	1"
3/8"	1/4"		1" 1/2	1" 1/4
1/2"	1/4"		2"	1"
1/2"	3/8"		2"	1" 1/4
3/4"	1/4"		2"	1" 1/2
3/4"	3/8"		2" 1/2	1"
3/4"	1/2"		2" 1/2	1" 1/4
1"	1/2"		2" 1/2	1" 1/2
1"	3/4"		2" 1/2	2"
1" 1/4	1/2"		3"	2"
1" 1/4	3/4"		3"	2" 1/2
1" 1/4	1"		4"	2"
1" 1/2	1/2"		4"	2" 1/2
			4"	3"

D



VITE DOPPIA RIDOTTA

DN1 inch	DN2 inch		DN1 inch	DN2 inch
1/4"	1/8"		1" 1/2	3/4"
3/8"	1/8"		1" 1/2	1"
3/8"	1/4"		1" 1/2	1" 1/4
1/2"	1/4"		2"	1"
1/2"	3/8"		2"	1" 1/4
3/4"	1/4"		2"	1" 1/2
3/4"	3/8"		2" 1/2	1"
3/4"	1/2"		2" 1/2	1" 1/4
1"	1/2"		2" 1/2	1" 1/2
1"	3/4"		2" 1/2	2"
1" 1/4	1/2"		3"	2"
1" 1/4	3/4"		3"	2" 1/2
1" 1/4	1"		4"	2"
			4"	2" 1/2
			4"	3"

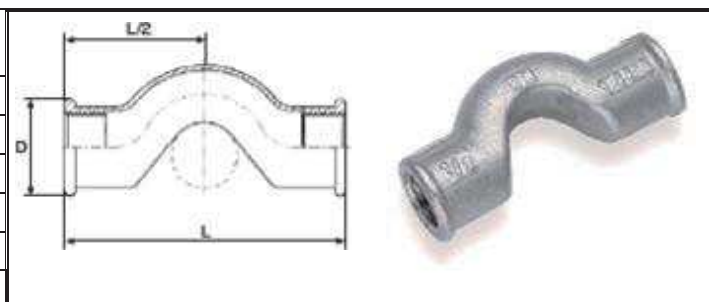


MEZZO MANICOTTO

DN	DN1 inch	D2 mm	S mm	L mm
6	1/8"	15	2,35	8
8	1/4"	18,5	2,40	11
10	3/8"	21,3	2,05	12
15	1/2"	26,6	2,65	15
20	3/4"	31,8	2,55	17
25	1"	39,5	3,05	20
32	1" 1/4	48,3	3,05	22
40	1" 1/2	54,5	3,10	22
50	2"	66,2	2,95	26
65	2" 1/2	82	4,50	30
80	3"	95	3,05	34
100	4"	121,4	3,55	40

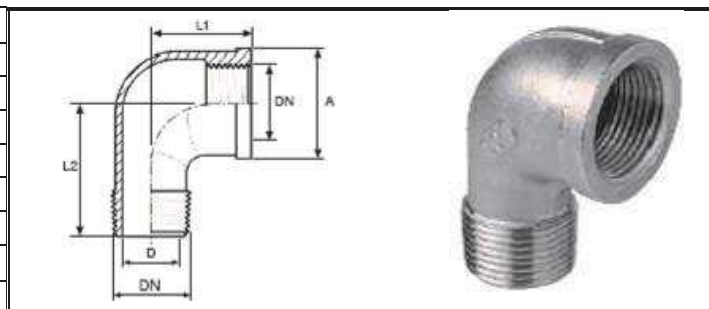
CURVE DI SORPASSO F.F

DN	DN inch	L mm	L/2 mm	D mm	peso
10	3/8"	78	39	25	120
15	1/2"	91	45,5	30	190
20	3/4"	106	53	36	270
25	1"	119	59,5	44	510
32	1" 1/4	150	75	54	900



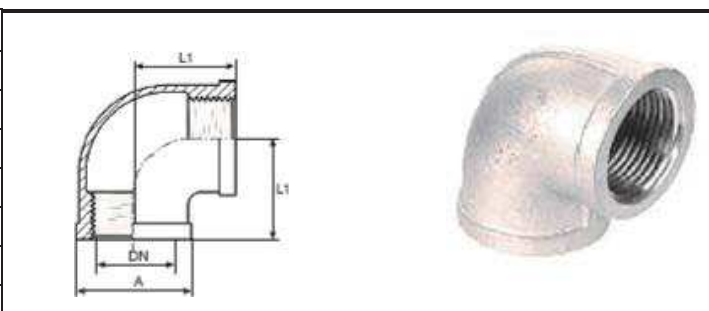
GOMITO 90 M.F

DN	DN inch	A mm	L1 mm	L2 mm	D mm	peso
6	1/8"	17	19	25	5,5	26
8	1/4"	21	21	28,3	7,6	40
10	3/8"	25	25	32	10	73
15	1/2"	29	28	42	12,7	94
20	3/4"	35	33	50,5	17,7	167
25	1"	43	38	52	24,8	231
32	1" 1/4	52	45	60	33	429
40	1" 1/2	58,8	50	65	38	473
50	2"	71,7	58	74	48,7	760
65	2" 1/2	86,2	69	101	62	1286
80	3"	100	77	114,5	74,5	1925
100	4"	126,5	97	146,5	100	3100



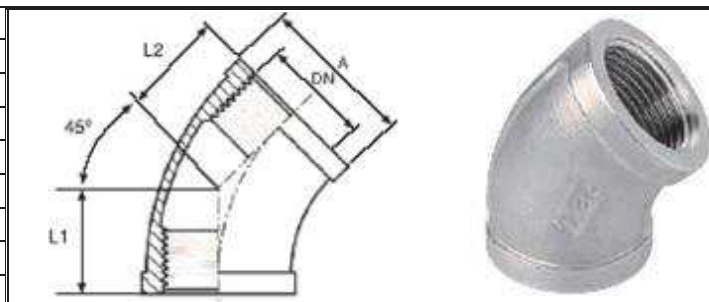
GOMITO 90 F.F

DN	DN inch	A mm	L1 mm	peso
6	1/8"	17	19	39
8	1/4"	21,3	21	61
10	3/8"	23,5	21,3	68
15	1/2"	29	27	102
20	3/4"	36	33	164
25	1"	43	38	264
32	1" 1/4	52	45	413
40	1" 1/2	58	50	521
50	2"	71,5	57	808
65	2" 1/2	87	69,7	1183
80	3"	99,5	77	1380
100	4"	126	98,2	2714



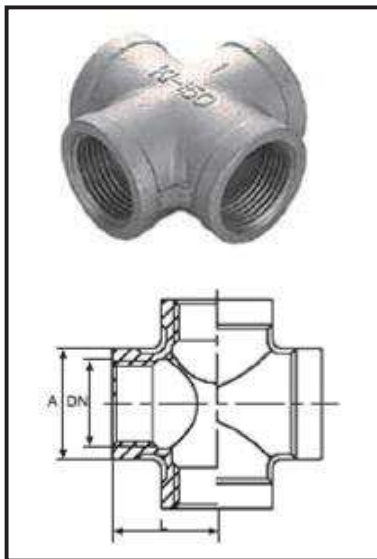
GOMITO 45 F.F

DN	DN inch	A mm	L1-L2 mm	peso
6	1/8"	18	18	36
8	1/4"	21	17	50
10	3/8"	25	20	87
15	1/2"	29,5	22	118
20	3/4"	35,6	25	147
25	1"	43	28	246
32	1" 1/4	52,4	33	347
40	1" 1/2	58	36	416
50	2"	72	43	673
65	2" 1/2	87	49	918
80	3"	100	55	1154
100	4"	125,5	64	1993



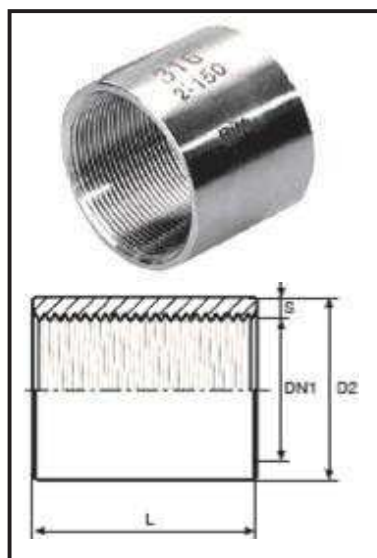
D

RACCORDERIA INOX FILETTATA



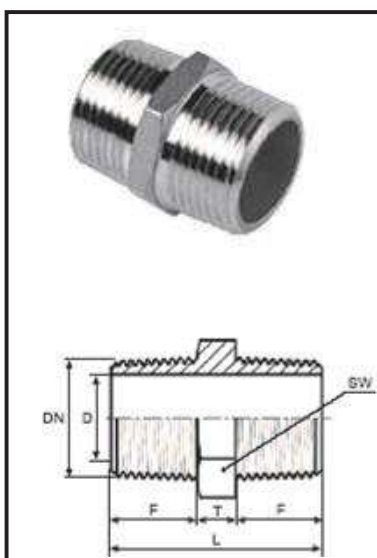
CROCE FEMMINA

DN	DN inch	A mm	L mm
6	1/8"	15,2	17
8	1/4"	19,7	18,5
10	3/8"	23,3	22,9
15	1/2"	28	26,8
20	3/4"	34,8	32
25	1"	43,6	37,5
32	1" 1/4	53	45,9
40	1" 1/2	58	47,6
50	2"	71	58
65	2" 1/2	87	69
80	3"	99	77
100	4"	125	97












MANICOTTO AISI 304-306

DN	DN1 inch	D2 mm	S mm	L mm
6	1/8"	15	2,35	17
8	1/4"	18,5	2,40	25
10	3/8"	21,3	2,05	26
15	1/2"	26,6	2,65	34
20	3/4"	31,8	2,55	36
25	1"	39,5	3,05	43
32	1" 1/4	48,3	3,05	48
40	1" 1/2	54,5	3,10	48
50	2"	66,2	2,95	56
65	2" 1/2	82	4,50	65
80	3"	95	3,05	71
100	4"	121,4	3,55	83



VITE DOPPIA

1/8"
1/4"
3/8"
1/2"
3/4"
1"
1" 1/4
1" 1/2
2"
2"1/2
3"
4"

<p>TAPPO MASCHIO TESTA QUADRA</p>  <table border="1"> <thead> <tr><th>D</th></tr> </thead> <tbody> <tr><td>1/8"</td></tr> <tr><td>1/4"</td></tr> <tr><td>3/8"</td></tr> <tr><td>1/2"</td></tr> <tr><td>3/4"</td></tr> <tr><td>1"</td></tr> <tr><td>1" 1/4</td></tr> <tr><td>1" 1/2</td></tr> <tr><td>2"</td></tr> <tr><td>2" 1/2</td></tr> <tr><td>3"</td></tr> <tr><td>4"</td></tr> </tbody> </table>	D	1/8"	1/4"	3/8"	1/2"	3/4"	1"	1" 1/4	1" 1/2	2"	2" 1/2	3"	4"	<p>TAPPO MASCHIO TESTA E-SAGONALE</p>  <table border="1"> <thead> <tr><th>D</th></tr> </thead> <tbody> <tr><td>1/8"</td></tr> <tr><td>1/4"</td></tr> <tr><td>3/8"</td></tr> <tr><td>1/2"</td></tr> <tr><td>3/4"</td></tr> <tr><td>1"</td></tr> <tr><td>1" 1/4</td></tr> <tr><td>1" 1/2</td></tr> <tr><td>2"</td></tr> <tr><td>2" 1/2</td></tr> <tr><td>3"</td></tr> <tr><td>4"</td></tr> </tbody> </table>	D	1/8"	1/4"	3/8"	1/2"	3/4"	1"	1" 1/4	1" 1/2	2"	2" 1/2	3"	4"	<p>CALOTTA ESAGONALE</p> <table border="1"> <thead> <tr><th>D</th></tr> </thead> <tbody> <tr><td>1/8"</td></tr> <tr><td>1/4"</td></tr> <tr><td>3/8"</td></tr> <tr><td>1/2"</td></tr> <tr><td>3/4"</td></tr> <tr><td>1"</td></tr> <tr><td>1" 1/4</td></tr> <tr><td>1" 1/2</td></tr> <tr><td>2"</td></tr> <tr><td>2" 1/2</td></tr> <tr><td>3"</td></tr> <tr><td>4"</td></tr> </tbody> </table>	D	1/8"	1/4"	3/8"	1/2"	3/4"	1"	1" 1/4	1" 1/2	2"	2" 1/2	3"	4"
D																																									
1/8"																																									
1/4"																																									
3/8"																																									
1/2"																																									
3/4"																																									
1"																																									
1" 1/4																																									
1" 1/2																																									
2"																																									
2" 1/2																																									
3"																																									
4"																																									
D																																									
1/8"																																									
1/4"																																									
3/8"																																									
1/2"																																									
3/4"																																									
1"																																									
1" 1/4																																									
1" 1/2																																									
2"																																									
2" 1/2																																									
3"																																									
4"																																									
D																																									
1/8"																																									
1/4"																																									
3/8"																																									
1/2"																																									
3/4"																																									
1"																																									
1" 1/4																																									
1" 1/2																																									
2"																																									
2" 1/2																																									
3"																																									
4"																																									
<p>CONTRODADO</p>  <table border="1"> <thead> <tr><th>D</th></tr> </thead> <tbody> <tr><td>1/8"</td></tr> <tr><td>1/4"</td></tr> <tr><td>3/8"</td></tr> <tr><td>1/2"</td></tr> <tr><td>3/4"</td></tr> <tr><td>1"</td></tr> <tr><td>1" 1/4</td></tr> <tr><td>1" 1/2</td></tr> <tr><td>2"</td></tr> <tr><td>2" 1/2</td></tr> <tr><td>3"</td></tr> <tr><td>4"</td></tr> </tbody> </table>	D	1/8"	1/4"	3/8"	1/2"	3/4"	1"	1" 1/4	1" 1/2	2"	2" 1/2	3"	4"	<p>GIUNTO A 3 PEZZI</p> <table border="1"> <thead> <tr><th>D</th></tr> </thead> <tbody> <tr><td>1/8"</td></tr> <tr><td>1/4"</td></tr> <tr><td>3/8"</td></tr> <tr><td>1/2"</td></tr> <tr><td>3/4"</td></tr> <tr><td>1"</td></tr> <tr><td>1" 1/4</td></tr> <tr><td>1" 1/2</td></tr> <tr><td>2"</td></tr> <tr><td>2" 1/2</td></tr> <tr><td>3"</td></tr> <tr><td>4"</td></tr> </tbody> </table>	D	1/8"	1/4"	3/8"	1/2"	3/4"	1"	1" 1/4	1" 1/2	2"	2" 1/2	3"	4"	<p>GIUNTO A 3 PEZZI A SALDARE A TASCA</p> <table border="1"> <thead> <tr><th>D</th></tr> </thead> <tbody> <tr><td>1/8"</td></tr> <tr><td>1/4"</td></tr> <tr><td>3/8"</td></tr> <tr><td>1/2"</td></tr> <tr><td>3/4"</td></tr> <tr><td>1"</td></tr> <tr><td>1" 1/4</td></tr> <tr><td>1" 1/2</td></tr> <tr><td>2"</td></tr> <tr><td>2" 1/2</td></tr> <tr><td>3"</td></tr> <tr><td>4"</td></tr> </tbody> </table>	D	1/8"	1/4"	3/8"	1/2"	3/4"	1"	1" 1/4	1" 1/2	2"	2" 1/2	3"	4"
D																																									
1/8"																																									
1/4"																																									
3/8"																																									
1/2"																																									
3/4"																																									
1"																																									
1" 1/4																																									
1" 1/2																																									
2"																																									
2" 1/2																																									
3"																																									
4"																																									
D																																									
1/8"																																									
1/4"																																									
3/8"																																									
1/2"																																									
3/4"																																									
1"																																									
1" 1/4																																									
1" 1/2																																									
2"																																									
2" 1/2																																									
3"																																									
4"																																									
D																																									
1/8"																																									
1/4"																																									
3/8"																																									
1/2"																																									
3/4"																																									
1"																																									
1" 1/4																																									
1" 1/2																																									
2"																																									
2" 1/2																																									
3"																																									
4"																																									
<p>GIUNTO A 3 PEZZI A SALDARE DI TESTA</p>  <table border="1"> <thead> <tr><th>D</th></tr> </thead> <tbody> <tr><td>3/8"</td></tr> <tr><td>1/2"</td></tr> <tr><td>3/4"</td></tr> <tr><td>1"</td></tr> <tr><td>1" 1/4</td></tr> <tr><td>1" 1/2</td></tr> <tr><td>2"</td></tr> </tbody> </table>	D	3/8"	1/2"	3/4"	1"	1" 1/4	1" 1/2	2"	<p>GIUNTO A 3 PEZZI FEMMINA A SALDARE DI TESTA</p>  <table border="1"> <thead> <tr><th>D</th></tr> </thead> <tbody> <tr><td>3/8"</td></tr> <tr><td>1/2"</td></tr> <tr><td>3/4"</td></tr> <tr><td>1"</td></tr> <tr><td>1" 1/4</td></tr> <tr><td>1" 1/2</td></tr> <tr><td>2"</td></tr> </tbody> </table>	D	3/8"	1/2"	3/4"	1"	1" 1/4	1" 1/2	2"	<p>GIUNTO A 3 PEZZI MASCHIO A SALDARE DI TESTA</p>  <table border="1"> <thead> <tr><th>D</th></tr> </thead> <tbody> <tr><td>3/8"</td></tr> <tr><td>1/2"</td></tr> <tr><td>3/4"</td></tr> <tr><td>1"</td></tr> <tr><td>1" 1/4</td></tr> <tr><td>1" 1/2</td></tr> <tr><td>2"</td></tr> </tbody> </table>	D	3/8"	1/2"	3/4"	1"	1" 1/4	1" 1/2	2"															
D																																									
3/8"																																									
1/2"																																									
3/4"																																									
1"																																									
1" 1/4																																									
1" 1/2																																									
2"																																									
D																																									
3/8"																																									
1/2"																																									
3/4"																																									
1"																																									
1" 1/4																																									
1" 1/2																																									
2"																																									
D																																									
3/8"																																									
1/2"																																									
3/4"																																									
1"																																									
1" 1/4																																									
1" 1/2																																									
2"																																									
<p>GIUNTO A 3 PEZZI MF</p>  <table border="1"> <thead> <tr><th>D</th></tr> </thead> <tbody> <tr><td>1/8"</td></tr> <tr><td>1/4"</td></tr> <tr><td>3/8"</td></tr> <tr><td>1/2"</td></tr> <tr><td>3/4"</td></tr> <tr><td>1"</td></tr> <tr><td>1" 1/4</td></tr> <tr><td>1" 1/2</td></tr> <tr><td>2"</td></tr> <tr><td>2" 1/2</td></tr> <tr><td>3"</td></tr> <tr><td>4"</td></tr> </tbody> </table>	D	1/8"	1/4"	3/8"	1/2"	3/4"	1"	1" 1/4	1" 1/2	2"	2" 1/2	3"	4"	<p>BOCCHETTONE CURVO MF</p>  <table border="1"> <thead> <tr><th>D</th></tr> </thead> <tbody> <tr><td>1/4"</td></tr> <tr><td>3/8"</td></tr> <tr><td>1/2"</td></tr> <tr><td>3/4"</td></tr> <tr><td>1"</td></tr> <tr><td>1" 1/4</td></tr> <tr><td>1" 1/2</td></tr> <tr><td>2"</td></tr> </tbody> </table>	D	1/4"	3/8"	1/2"	3/4"	1"	1" 1/4	1" 1/2	2"	<p>BOCCHETTONE CURVO FF</p>  <table border="1"> <thead> <tr><th>D</th></tr> </thead> <tbody> <tr><td>1/4"</td></tr> <tr><td>3/8"</td></tr> <tr><td>1/2"</td></tr> <tr><td>3/4"</td></tr> <tr><td>1"</td></tr> <tr><td>1" 1/4</td></tr> <tr><td>1" 1/2</td></tr> <tr><td>2"</td></tr> </tbody> </table>	D	1/4"	3/8"	1/2"	3/4"	1"	1" 1/4	1" 1/2	2"								
D																																									
1/8"																																									
1/4"																																									
3/8"																																									
1/2"																																									
3/4"																																									
1"																																									
1" 1/4																																									
1" 1/2																																									
2"																																									
2" 1/2																																									
3"																																									
4"																																									
D																																									
1/4"																																									
3/8"																																									
1/2"																																									
3/4"																																									
1"																																									
1" 1/4																																									
1" 1/2																																									
2"																																									
D																																									
1/4"																																									
3/8"																																									
1/2"																																									
3/4"																																									
1"																																									
1" 1/4																																									
1" 1/2																																									
2"																																									

D

RACCORDERIA INOX FILETTATA



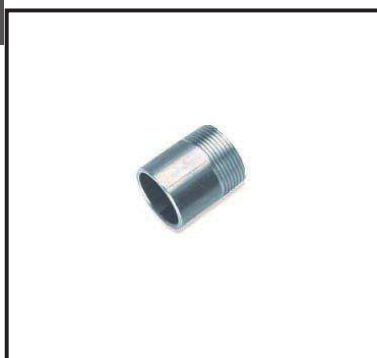
**VITE DI ALLUNGAMENTO AISI 304
AISI 316**

D
1/8"
1/4"
3/8"
1/2"
3/4"
1"
1" 1/4
1" 1/2
2"
2" 1/2
3"
4"



PORTAGOMMA M

D
1/8"
1/4"
3/8"
1/2"
3/4"
1"
1" 1/4
1" 1/2
2"



TRONCHETTO AISI 304 - AISI 316

D
1/8"
1/4"
3/8"
1/2"
3/4"
1"
1" 1/4
1" 1/2
2"
2" 1/2
3"
4"



NIPPLI SEMPLICI

D
1/4"
3/8"
1/2"
3/4"
1"
1" 1/4
1" 1/2
2"
2" 1/2
3"
4"

D