

FIG.201

 **STOP VALVE zGLO**



Body material	Nominal pressure	Nominal diameter	Max. temperature
A Grey cast iron	C 16 bar	DN 15-50	200°C



correspond to the pressure equipment directive 2014/68/UE marking CE for DN≥32

**FEATURES**

- high tightness (leakproofness class - A acc. to EN -12266 - 1)
- compact settlement
- environment-friendly
- tests acc.to EN - 12266 - 1

**APPLICATION**

industries



INDUSTRY



HEATING

media



INDUSTRIAL  
WATER



STEAM



COMPRESSED  
AIR



NEUTRAL  
FLUIDS

Data given can be changed without notice.

Edition 01/2018

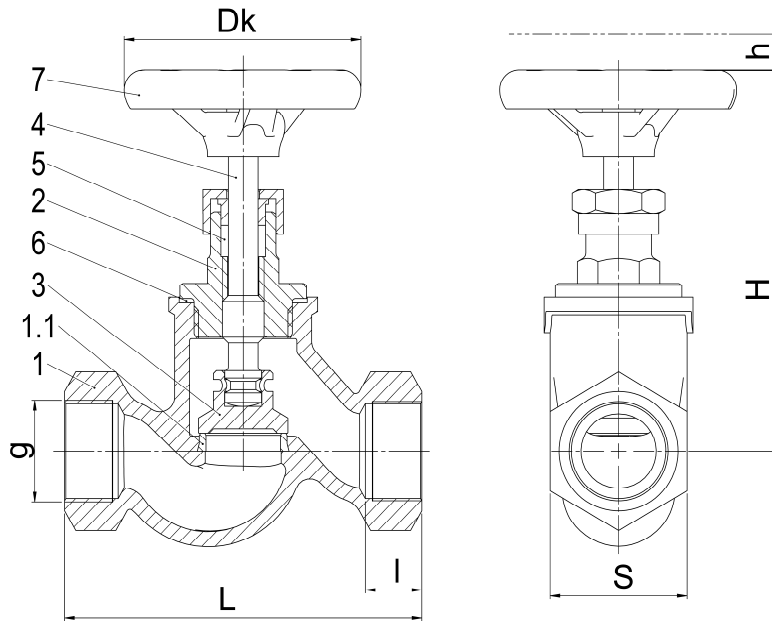
ZETKAMA Sp. z o.o.  
Ul. 3 Maja 12  
PL 57-410 Ścinawka Średnia

Tel. +48 74 8652 193  
Tel. +48 74 8652 111  
Fax +48 74 8652 199

E-mail [export@zetskama.com.pl](mailto:export@zetskama.com.pl)  
[www.zetskama.pl](http://www.zetskama.pl)

**FIG.201**

**MATERIALS, DIMENSIONS**



	Body material	A
	Type	00
1	Body	EN – GJL-250 5.1301 (ex. JL1040)
1.1	Seat ring	X12Cr13 1.4021
2	Bonnet	EN – GJL-250 5.1301 (ex. JL1040)
3	Disc	X20Cr13+QT 1.4021
4	Stem	X20Cr13 1.4021
5	Packing gland	Graphit
6	Gasket	Carbamide - rubber
7	Hand-wheel	EN – GJL-250 5.1301 (ex. JL1040)
<b>Max. temperature</b>		<b>200°C</b>

DN	10	15	20	25	32	40	50
<b>L (mm)</b>	85	90	100	120	140	170	200
<b>Dk (mm)</b>	64	64	64	80	80	100	100
<b>H ((mm)</b>	105	109	109	129	152	167	178
<b>h (mm)</b>	7	9	9	9	13	18	20
<b>g</b>	G 3/8	G 1/2	G 3/4	G 1	G 1 1/4	G 1 1/2	G 2
<b>l (mm)</b>	12	14	16	18	20	22	24
<b>S (mm)</b>	30	32	41	46	55	60	75
<b>k<sub>vs</sub> (m<sup>3</sup>/h)</b>	2,4	4,5	6,1	10,1	17,9	25,4	40,5
<b>Weight (kg)</b>	0,7	0,9	1,0	1,45	2,1	3,0	4,3

Data given can be changed without notice.

Edition 01/2018

ZETKAMA Sp. z o.o.  
Ul. 3 Maja 12  
PL 57-410 Ścinawka Średnia

Tel. +48 74 8652 193  
Tel. +48 74 8652 111  
Fax +48 74 8652 199

E-mail export@zetskama.com.pl  
www.zetskama.pl

**PRESSURE-TEMPERATURE RATINGS**

Acc. EN 1092-2	PN		-10°C÷120°C	150°C	200°C
EN-GJL250	16	bar	16	14,4	12,8

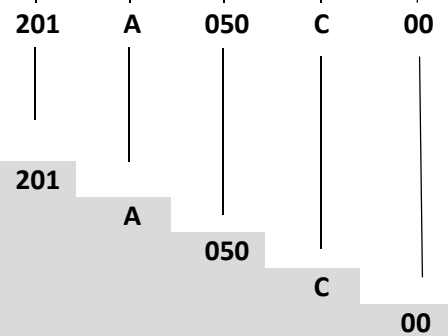
**TYPE**

Figure	Body material	Nominal diameter	Nominal pressure	Type
201	A Grey cast iron EN-GJL-250	15-50 mm	C 16 bar	00 stem and disc connection - fixed – rolled; stem, disc and seat ring - stainless steel
		15-50 mm	C 16 bar	08 stem and disc connection - fixed – rolled; stem, disc and seat ring - stainless steel disc gasket PTFE

**ORDERING**

Figure	Body material	Nominal diameter	Nominal pressure	Type
201	A Grey cast iron EN-GJL-250	15-50 mm	C 16 bar	00 stem and disc connection - fixed – rolled; stem, disc and seat ring - stainless steel

**Order example acc. index**



Stop valve, ends threaded, form straight  
 Grey cast iron EN-GJL-250  
 Nominal diameter (mm)  
 Nominal pressure PN 16  
 Stem and disc connection - fixed – rolled; stem, disc and seat ring - stainless steel

Data given can be changed without notice.

Edition 01/2018